

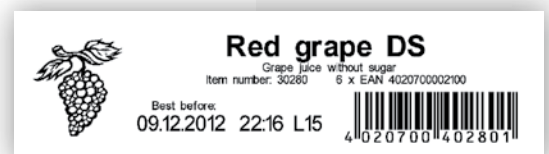
m600 basic



Easy coding with the m600 basic

The m600 basic thermal ink jet printer fulfills core marking and coding requirements for a range of products and packaging. The simplicity of its design and its straightforward menu structure delivers ease-of-use and intuitive operation across a range of applications.

With an affordable price point, the m600 basic printer is the ideal solution for companies that require maximum operating convenience without sacrificing reliability or quality.



Technical data

Hardware

Dimensions L/D/H
270/230/77 mm

Weight
3.5 kg

IP protection class
IP 65

Display
320 x 240 pixels

Memory
32 MB Flash
64 MB RAM
32 bit data bus

Printing speed
Up to 300 m/min

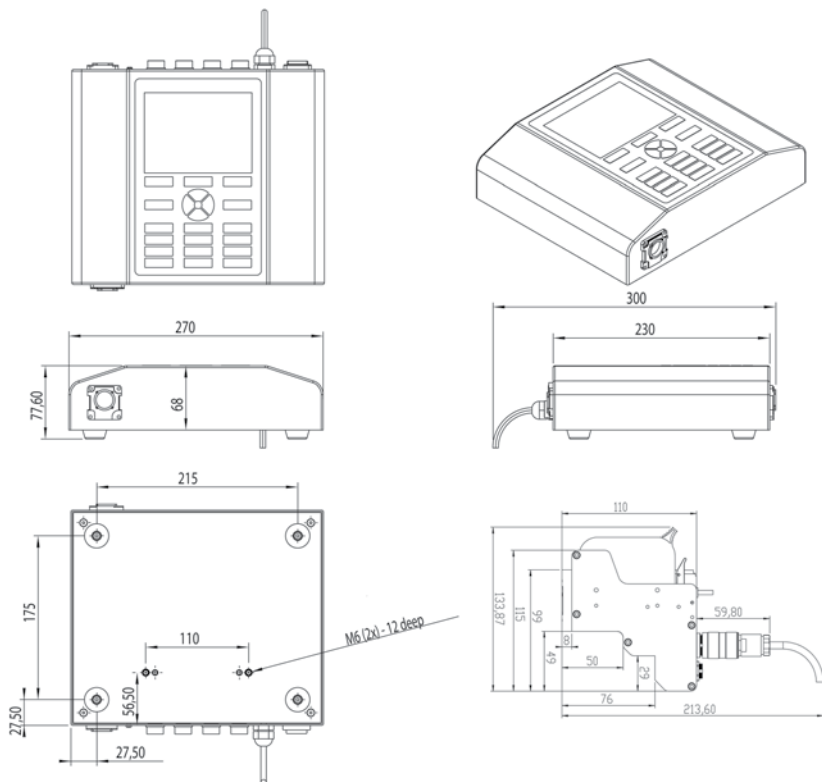
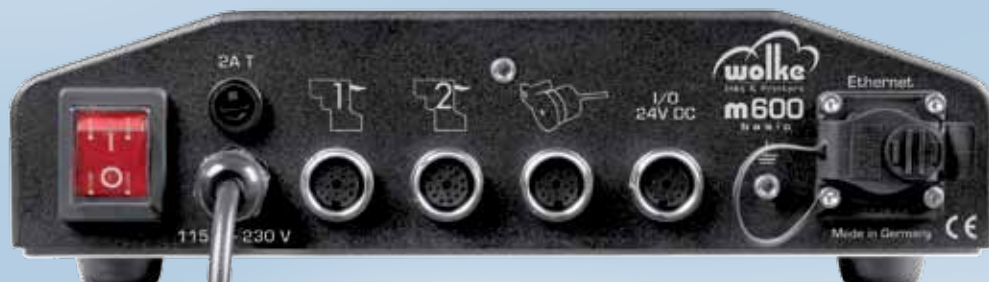
Max. resolution
600 x 600 dpi

Connections

- Maximum 2 printheads
- Shaft encoder
- 24 V I/O Connector
- USB-A (stick)
- Wide range power supply 115 - 230 V

Software

- 10 languages
- Free design of print layout
- Logos
- Text
- Counter
- Linear barcodes
- Password protection
- Up- and download via USB-interface
- Automatic print memory refresh



For detailed information please visit:

www.wolke.com

Wolke Inks & Printers GmbH • Ostbahnstraße 116 • D-91217 Hersbruck
Tel. +49 (0)9151-8161-0 • Fax +49 (0)9151-8161-57 • info@wolke.com

